

Menu

- Standing Desks
- Chairs
- Workplace
- Accessories

Home / Jarvis Bamboo Standing Desk

Jarvis Bamboo Standing Desk

Starts at \$449.00

★★★★★ 2104 reviews

A popular favorite among our craft- and earth-conscious customers. Customize your workspace with our beautiful, eco-friendly bamboo on our best reviewed, customer-adored Jarvis frame.

Popular Setups



Natural bamboo, Rectangle top (36x24), White mid-range frame, ...

\$449.00 (price as built)
[Full details](#)



Natural bamboo, Rectangle top (60x30), Black extended-range fra...

\$673.00 (price as built)
[Full details](#)



Natural bamboo, Rectangle top (60x30), Black extended-range fra...

\$994.00 (price as built)
[Full details](#)

Qty 1

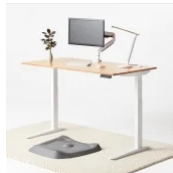
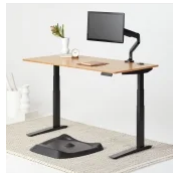
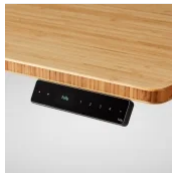
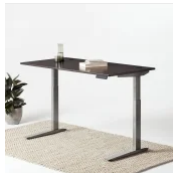
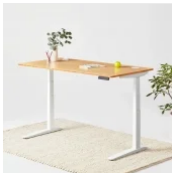
[Design my own](#)

[Add to cart](#)

Shopping for your team? Get a quote.

Whether you're an office of 5 or 500, our project managers can help you create energizing spaces your team will love. [Get started](#)

[Design my own](#)



Free shipping and 30-day returns*

As low as \$42/mo.
[Learn More](#)

Overview

Options & Accessories

Specifications

Details and dimensions

- Contour shaped tops are only available in select sizes
- Rounded corner detail
- Natural bamboo top thickness: 0.75"

[Design my own](#)

- Dark bamboo top thickness: 1"
- View [Jarvis narrow assembly instructions as PDF](#)
- View [Jarvis wide assembly instructions as PDF](#)



View: Rectangle or Contour

Materials

- Truly sustainable bamboo: fully mature plants in 5 years
- Bamboo releases 35% more oxygen than an equivalent stand of trees
- No pesticides or fertilizers are used
- Material harvested by hand preserving root structure
- We use Moso (Mao Zhu) species bamboo, sourced from sustainable forests
- European E1-level glues; German wear-resistant UV coating

Recommended WireTamer quantities per top size

- 30" - 42" with grommets: none
- 30" - 42" without grommets: 1
- 48" with grommets: 1
- 48" without grommets: 2
- 60" - 78": 2

Shipping dimensions

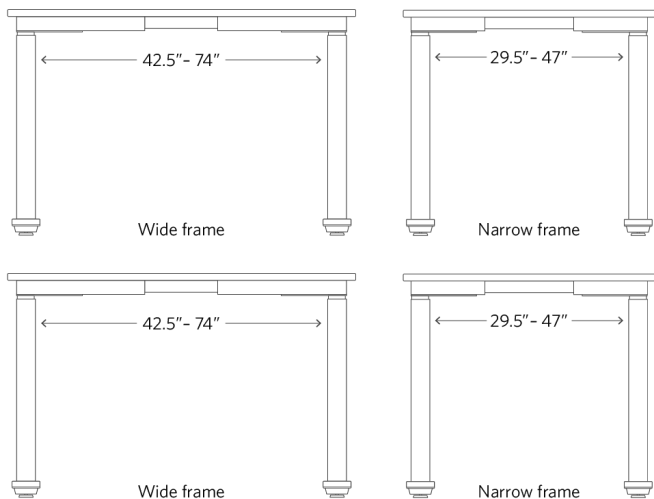
Top Size	Length	Width	Height	Weight
30" x 24"	33"	27"	3"	16 lbs

Shipping details

- Bamboo tops ship via FedEx Ground from Portland, OR or Nottingham, MD

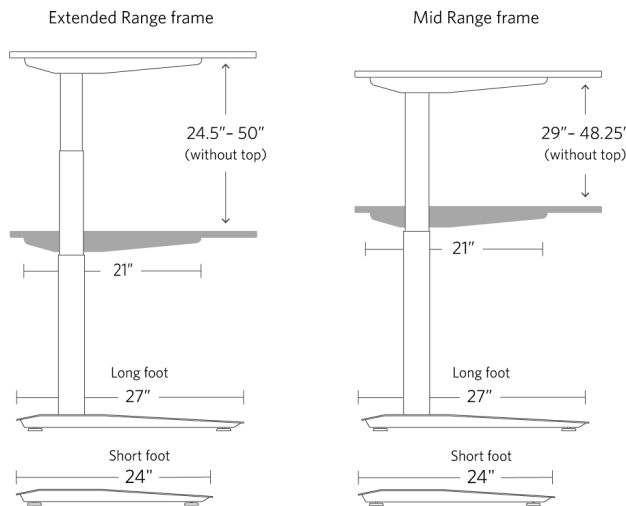
[Design my own](#)

	27"	3"	18 lbs	
42" x 24"	45"	27"	3"	21 lbs
48" x 30"	51"	33"	3"	26 lbs
60" x 30"	63"	33"	3"	43 lbs
72" x 30"	74"	33"	3"	54 lbs
78" x 30"	81"	33"	3"	63 lbs



Jarvis frame details

- 350 lb lifting capacity (inclusive of top weights)
- Industry-leading warranty: 7 years on all frame, mechanical, and electrical components
- Adjustable foot leveling studs for uneven flooring (0.25" adjustment)
- Operating noise less than 50dB



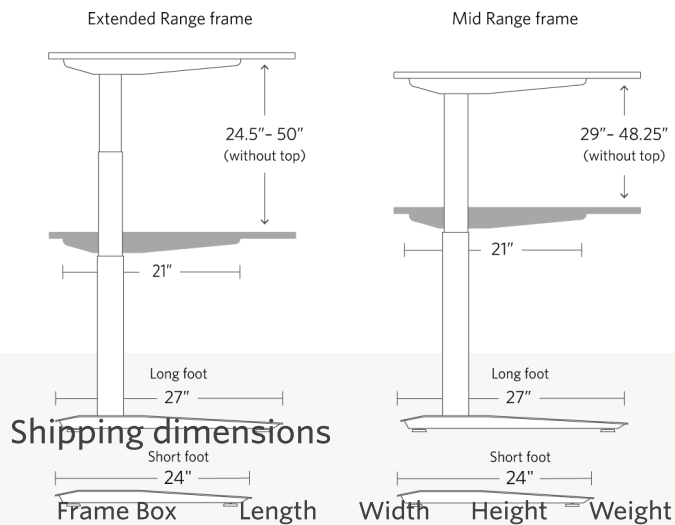
Mid-range frame

- Height adjustable from 29" - 48.25" (without top)
- Adjustment speed of 1.3" per second with soft start/stop

Extended-range frame

- Height adjustable from 24.5" to 50" (without top)
- Adjustment speed of 1.5" per second with soft start/stop

[Design my own](https://www.fully.com/jarvis-adjustable-height-desk-bamboo.html)



Shipping details

- Jarvis frames ship via FedEx Ground from Portland, OR or Nottingham, MD
- The Jarvis frame is split into two boxes so it's easy to move and unbox
- Frame packaging is 100% recyclable and EPE-free

Shipping dimensions

Frame Box	Length	Width	Height	Weight
A - Mid-range	30.5"	13"	5.5"	34 lbs
A - Extended-range	30.5"	13"	5.5"	39 lbs
B - Narrow	41"	12"	5"	30 lbs
B - Wide	41"	12"	5"	38 lbs



Love the look and feel!

Design my own

I love the warm look and feel of the natural bamboo desktop and the quick and quiet motors that adjust the desk height. Service was quick and assembly was easy. I wouldn't hesitate to recommend the Jarvis Bamboo Standing Desk.

Peter C.

4.9



2104 Reviews

Write A Review

Filter Reviews

Search Reviews

- Size
- Installation
- Height
- Photos
- Warranty
- Color
- Construction
- Motor
- Weight
- Performance
- Assembly
- ...

Rating

Images & Videos



Josh Verified Reviewer



03/28/20

I am incredibly impressed

- Design/ordering process = 5 stars
- Shipping time = 5 stars
- Packaging = 5 stars
- Building/instructions = 5 stars
- Product aesthetics/design = 5 stars
- Customer service = 5 stars

Design my own

With my new desk, I will likely be a Fully customer for life. Thank you!

With my new desk, I will likely be a fully customer for life. Thank you!

Share

Was this review helpful? 3 0



Garrett



03/28/20

Game changer for WFH

Luckily I planned on setting up a home office to allow me to WFH when necessary. A few weeks later when it became the standard, I was ahead of the curve. This desk and the optional monitor area have made the transition nearly seamless. I couldn't be happier with everything. The set up was very simple and easy to follow along with the video link pr...[Read More](#)

Share

Was this review helpful? 2 0



Cilla



03/27/20

5 Stars For the Math Office Desk

This was a fantastic purchase. I was concerned about wobble, about assembly, about a shelf for my laptop so the screen would be at eye level. I need NOT have worried. It was VERY easy to assemble, and though the table top was heavy, I could manage easily. There was/is NO wobble, and even when my students sneak over to my desk to raise and lower it...[Read More](#)

Share Comments (1)

Was this review helpful? 1 0



Fully (Official)

03/27/20

We're thrilled about this feedback, Cilla! Thanks for taking a moment to share your experience with the Jarvis desk. We're continually striving to improve the desk while supporting our customers to be their best selves when they work. We're proud to know you're impressed. We wish you many productive days ahead, keep solving those puzzling equations!



David Verified Reviewer



03/24/20

Fantastic desk, amazing company and service

Wow, the Jarvis desk totally surpassed my expectations. It's incredibly beautiful in-person, and the ability to sitting and standing at the touch of a button is a game changer for me now working from home...[Design my own](#)...able future. Plus all of the accessories (Jarvis monitor arm, beam lamp, desk-mounted surge

perfect...[Read More](#)

[Share](#)

Was this review helpful? [4](#) [1](#)



Henning



03/21/20

Great desk and super fast delivery

Despite the current situation I got the desk as promised within 3 days - I could hardly believe it ;) The desk itself is easy to setup and will make home office a much more enjoyable and ergonomic experience.

Thank you - you rock!

[Share](#) Reviewed at

Was this review helpful? [6](#) [0](#)

< 1 2 3 4 5 6 7 8 9 >



Let our team help yours

Outfitting an entire team is no easy task. Whenever you're ready to create a custom Fully workplace that will bring out your team's best, we're here to help.

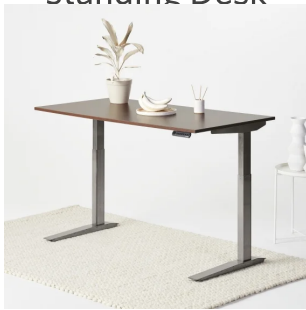
[Let's connect](#)

You may also like

[Design my own](#)



Jarvis Hardwood Standing Desk



Jarvis Laminated Standing Desk

Clean, smooth, and consistent

★★★★★ 252

Starts at: \$449.00



Jarvis L-Shaped Standing Desk

Corner desk for the corner office

★★★★★ 111

Starts at: \$1,249.00

Products

Standing Desks

Chairs

Active Workspace

Explore

About us

Articles

Customer reviews

Careers

Support

Help

FAQs

Shipping

Returns

Connect

Portland showroom

Seattle showroom



Find your work flow



[Design my own](#)

[Commercial Sales](#)

[Press & research](#)

[Contact](#)

support@fully.com 888-508-3725 Monday to Friday 1:00pm-6pm EST

[Subscribe for 5% off](#) [Terms](#) [Privacy](#) © Fully. All Rights Reserved.

[Design my own](#)